

# Rugged Handheld Device 7"

**M700DM8-4EBM**

## Product Features:

- ARM® Cortex™ -A53 Octa-core 1.3Ghz
- 7" (1280 x 720) TFT LCD Display
- IP65 and 4ft drop MIL standard
- Projected Capacitive Multi-Touch Screen
- Built-in G-sensor and Light sensor
- WLAN 802.11 a/b/g/n, Bluetooth 4.0, GPS / AGPS / Glonass, 3G / 4G LTE
- 8.0M Rear Camera (with LED auxiliary light, Auto Focus)
- Android™ 5.1
- 1D/ 2D Barcode Reader



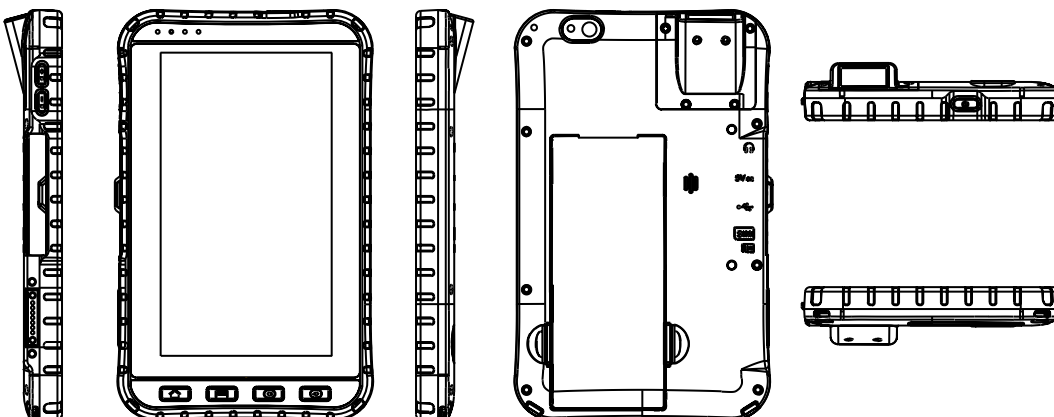
## Product Specifications:

System Specification	Processor	ARM® Cortex™ -A53 Octa-core 1.3Ghz
	System Memory	2GB SDRAM LDDR3
	Storage	16GB eMMC
	Operating System	Android™ 5.1
Display Specification	Size	7"
	Resolution	1280 x 720
	Brightness	650 nit typ.
	Touch	Projected Capacitive Touch
Wireless Communication	WLAN	Support 802.11 a/b/g/n mode
	Bluetooth	Bluetooth 4.0
	WWAN (Optional)	Support BLE mode + wide-band speech
		GSM/GPRS/EDGE WCDMA/HSDAP/HSPUA FDD-LTE TDD-LTE
GNSS	Built-in GPS module Support Glonass / Beidou	
Mechanical and Environment	Dimensions (W x L x H)	212.4 x 132.8 x 19 mm
	Weight	550g
	Operating Temperature	-20°C to 60°C (AC mode), -10°C to 50°C (Battery mode)
	Operating Humidity	5% ~ 95% RH (non condensing)
	IP Proof	IP65
	Shock	MIL-STD-810G Method 516.5
	Vibration	MIL-STD-810G Method 514.5
	Drop	MIL-STD-810G Method 516.5, 4 ft, Free to concrete
Certifications	CE, FCC, CCC	
I/O Connectors	External I/O	1 x Micro USB OTG
		1 x Headset jack (Mic+Earphone)
1 x 2.5Ø 5V DC Power Input		
1 x SIM Slot		
2 x Microphones		
1 x Micro SD Card Slot		
Internal Audio Device	1 x 1.2W Speaker	
Power Management	Power input	5V DC in
	Power consumption	7W (under full loading)
	Battery	3.7V 5300mAh Li-Poly user hot-swappable battery
	Battery Operating Time	12 hours *
Adapter	15W Adapter	
Field Service Features	Camera	2MP Front Camera, 5MP Rear Camera
	Barcode Reader	1D/ 2D Barcode Reader
	NFC (Optional)	Read/ Write mode Peer to Peer mode

\*Note: Measured at dimming LCD brightness. Varies depending on the usage conditions, or when an external device is attached.

## Dimensions :

Standard



## Order Information:

M700DM8-4EBM	Support WWAN for EU / Asia + Barcode Reader
M700DM8-4EBMH	Support WWAN for EU / Asia + Barcode Reader + Hotswap battery