

10.1" Rugged Tablet PC

M101M4

Product Features:

- 10.1" 1280x800 LED Panel with P-Cap Touch
- High performance ARM Cortex A7 Quad Core 1.5GHz
- Android 4.2
- IP65 water and dust proof
- Dual Camera Design: 8MP Main camera with LED flash / 2MP Webcam
- MIL-STD-810G Shock / Drop / Vibration
- With Optical Bonding for Sunlight Readability

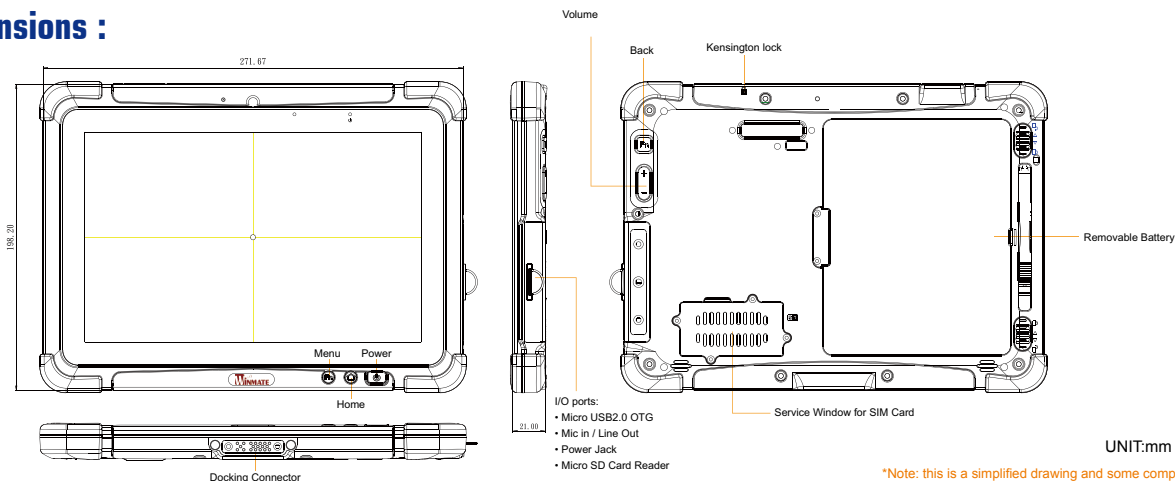


Product Specifications:



Size	10.1"		
Model Name	M101M4		
System Specification	Processor	ARM Cortex A7 Quad Core 1.5GHz	
	System Memory	1GB	
	Storage	16GB eMMC	
Display Specification	Operating System	Android 4.2	
	Size / Technology	10.1-inch	
	Resolution	1280 x 800	
	Brightness	300 nits With Optical Bonding	
	Touch	Multi-Touch Projective Capacitive	
	Contrast Ratio	800:1	
	Viewing Angle	89/89/89/89	
Wireless Communication	Display Color	16.7M (6bit + HFRC)	
	WLAN	802.11 a/b/g/n	
	Bluetooth	Bluetooth 3.0	
	GPS	Built-in / Optional u-Blox NEO-6Q	
System I/O Buttons Indicators Sensors Security	WWAN	Built-in 3G / Optional 4G LTE	
	Audio	Built-in 1W Speaker x 2	
	External I/O	1 x Micro USB 2.0 OTG, 1 x Audio Combo Conn. (Mic in or Line Out), 1 x Power Jack, 1 x Micro SD Card Reader	
	Buttons	Power / Home(Menu) / Back / Vol + / Vol -	
	LED Indicators	1 x Status Indicator	
	Sensors	Light Sensor / G- Sensor / Gyroscope / E-Compass	
	Security	Kensington lock	
	Data Capture	Camera	Front: 2MP Camera with built-in microphone Rear: 8MP Auto-Focus Camera with LED Flash
		Mechanical and Environment	Dimension (W x L x H) Weight Operating Temperature Storage Temperature Humidity IP Proof Shock Vibration Drop Certifications
	Power Management	Power Input	12V DC in
Battery		7.4V 5140mAh Li-ion Battery (2S1P)	
Battery Operating Time		Std. Battery: 10 hours **	
Adapter		100-240 AC to 12V DC out Power Adapter	

Dimensions :



*Note: this is a simplified drawing and some components are not marked in detail. Please contact our sales representative if you need further product information.
**Note: Measured at dimming LCD brightness. Varies depending on the usage conditions, or when an external device is attached.