

# 10.1" Rugged Tablet PC

**M101BU**

## Product Features:

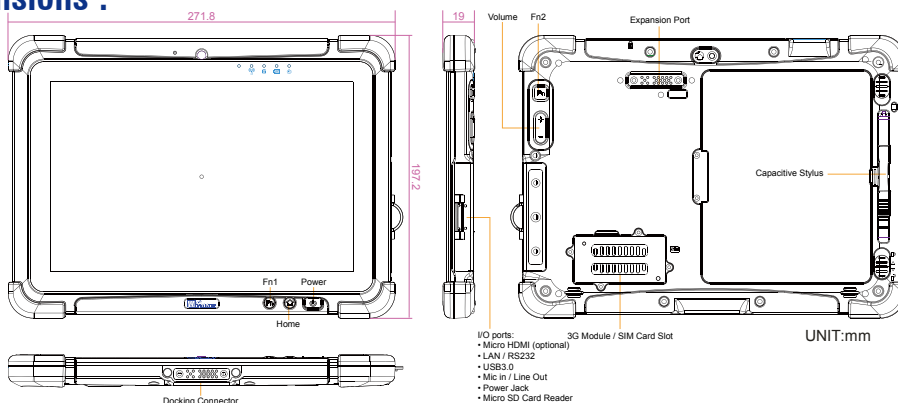
- 10.1" 1920x1200 IPS LED Panel with P-Cap Touch
- Long battery life with Intel® BayTrail-M processor
- IP65 water and dust proof
- Optional Barcode or RFID Reader
- Dual Camera Design: 5MP Main camera / 2MP Webcam
- Optional Expansion port for USB / RS232 connection
- Hot-Swappable Battery Design / Optional high capacity battery pack
- 2 Programmable function keys
- With Optical Bonding for Sunlight Readability



## Product Specifications:

System Specification	Processor	Intel Celeron Quad-Core N2930 1.83GHz
	System Memory	4GB SODIMM DDR3L-1600 (up to 8GB)
	Storage	64GB mSATA MLC SSD (up to 256GB)
	Operating System	Ubuntu 16.04
Display Specification	Size / Technology	10.1-inch IPS LED backlight
	Resolution	1920x1200 WUXGA
	Brightness	700 nits typ. With Optical Bonding for Sunlight Readability
	Touch	Multi-Touch Projective Capacitive
Wireless Communication	Contrast Ratio	800:1
	WLAN	802.11 a/b/g/n
	Bluetooth	Bluetooth 4.0 Dual Mode (Classic + Low Energy) Class I
	GPS	u-Blox Neo-6Q
System I/O Buttons Indicators Sensors	WWAN	Optional 4G (LTE, HSPA+, GSM/GPRS/EDGE, EV-DO Rev A, 1xRTT) or optional 3G (HSPA+, GSM/GPRS/EDGE)
	Audio	1 x Built-in Mic, 2 x 1W Speaker
	External I/O	1 x Micro HDMI (optional), 1 x 30-pin Combo Conn (Giga-LAN or RS232), 1 x USB3.0, 1 x Audio Combo Conn. (Mic in / Line Out), 1 x Power Jack, 1 x Micro SD Slot
	Buttons	1 x Power, 1 x Home (Win-set application), 2 x Programmable Function Key (One for Barcode trigger key when with Barcode), 2 x Adjusting key for Volume or Brightness
Security	LED Indicators	Power, Battery, HDD, RF
	Security	Password security for user and hard disk lock Kensington lock slot Trusted platform module (TPM) V1.2
Data Capture	Camera	5MP Auto-Focus Camera at rear / 2MP Camera at front side
	Barcode	Short range 1D/2D Barcode Reader (optional) (may not be used with HF RFID)
Mechanical and Environment	RFID	HF RFID Reader (optional) (may not be used with Barcode)
	Dimension (W x L x H)	271.8 x 197.2 x 19 mm (10.7 x 7.76 x 0.75 inches)
	Weight	1.2 kg (2.7 lbs) with standard battery, 1.4 kg (3.1 lbs) with optional high capacity battery
	Operating Temperature	-20°C to 60°C (AC mode), -10°C to 50°C (Battery mode)
	Storage Temperature	-30°C to 70°C (-22°F to 158°F)
	Humidity	10 to 90% RH, non-condensing
	IP Proof	IP65
	Shock	MIL-STD-810G Method 516.6 Procedure I
Power Management	Vibration	MIL-STD-810G Method 514.6 Procedure I
	Drop	MIL-STD-810G Method 516.6, 4 ft to concrete *
Power Management	Certifications	CE, FCC, IC, UL 60950, EN60601**
	Power Input	12-19V DC
	Battery	7.4V, typ. 5140 mAh Li-Polymer Battery (2S1P) 7.4V, typ. 10280 mAh Li-Polymer Battery (2S2P, optional)
	Battery Operating Time	Std. Battery: 8 hours*** High Capacity Battery: 16 hours***
	Adapter	100-240V, 50-60Hz / 19V DC

## Dimensions :



- \* Note: The drop test with high-capacity battery must come with hand strap.
- \*\* Note: EN60601 certified with optional power adapter for medical use
- \*\*\* Note: Measured at dimming LCD brightness. Varies depending on the usage conditions, or when an external device is attached.
- \*\*\*\* Note: This is a simplified drawing and some components are not marked in detail.
- \*\*\*\*\* Note: Please contact our sales representative if you need further product information.
- \*\*\*\*\* Note: All Specifications are subject to change without prior notice.

Accessories:	
1.	19V 65W Power Adapter x 1
2.	Power Cord x 1
3.	Standard Battery x 1
4.	M101 Quick Start Guide x 1
5.	Manual & Driver CD x 1
6.	Capacitive Stylus x 1

Order Information:	
M101BU	Basic
M101BU-3	3G
M101BU-LE	4G/LTE for Europe
M101BU-LA	4G/LTE for North America
M101BU-AP	With Active Pen