

10.1" Rugged Tablet PC (with Barcode)

M101B-BH

Product Features:

- 10.1" 1920x1200 IPS LED Panel with P-Cap Touch
- Long battery life with Intel® BayTrail-M processor
- IP65 water and dust proof
- Built-in 1D/2D Intermec EA30 Barcode Reader
- Dual Camera Design: 5MP Main camera with LED flash / 2MP Webcam
- Optional Expansion port for USB / RS232 connection
- Hot-Swappable Battery Design / Optional high capacity battery pack
- 2 Programmable function keys
- Computrace® theft protection support
- With Optical Bonding for Sunlight Readability
- SOTI MobiControl compatible

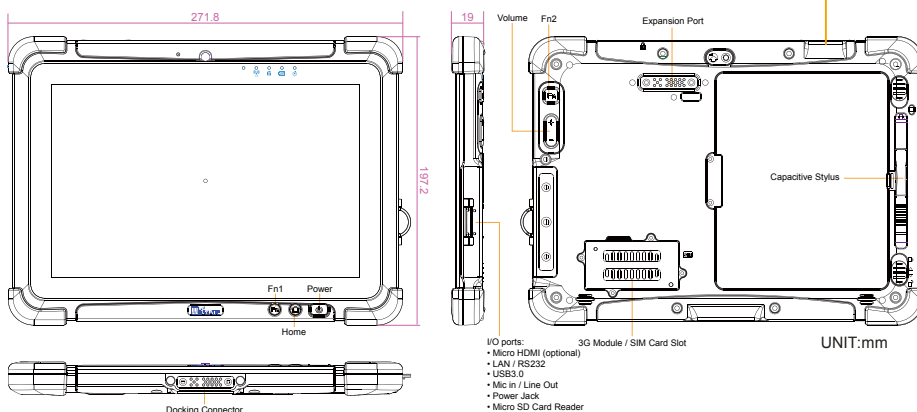


CE FC EN60601

Product Specifications:

System Specification	Processor	Intel Celeron Quad-Core N2930 1.83GHz
	System Memory	4GB SODIMM DDR3L-1600 (up to 8GB)
Display Specification	Storage	64GB mSATA MLC SSD (up to 256GB)
	Operating System	Windows 10 IoT Enterprise
		Windows Embedded 8.1 Industry Pro
		Windows Embedded Standard 7
		Windows 7 Pro for Embedded Systems
Size / Technology	10.1-inch IPS LED backlight	
Wireless Communication	Resolution	1920x1200 WUXGA
	Brightness	700 nits typ. With Optical Bonding for Sunlight Readability
	Touch	Multi-Touch Projective Capacitive
	Contrast Ratio	800:1
System I/O Buttons Indicators Sensors	WLAN	802.11 a/b/g/n
	Bluetooth	Bluetooth 4.0 Dual Mode (Classic + Low Energy) Class I
	GPS	u-Blox Neo-6Q
	WWAN	Optional 4G (LTE, HSPA+, GSM/GPRS/EDGE, EV-DO Rev A, 1xRTT) or optional 3G (HSPA+, GSM/GPRS/EDGE)
Security	Audio	1 x Built-in Mic, 2 x 1W Speaker
	External I/O	1 x Micro HDMI (optional), 1 x 30-pin Combo Conn (Giga-LAN or RS232), 1 x USB3.0, 1 x Audio Combo Conn. (Mic in / Line Out), 1 x Power Jack, 1 x Micro SD Slot
	Buttons	1 x Power, 1 x Home, 2 x Programmable Function Key, 2 x Volume Key
	LED Indicators	Power, Battery, HDD, RF
Data Capture	Sensors	Light sensor, G sensor, Gyrometer, E-compass
	Security	Password security for user and hard disk lock Kensington lock slot Trusted platform module (TPM) V1.2 Computrace® theft protection support
Mechanical and Environment	Mobile Device Management	SOTI MobiControl compatible
	Camera	5MP Au to-Focus Camera with LED Flash at rear / 2MP Camera at front side
Power Management	Barcode	Short range 1D/2D Intermec EA30 Barcode Reader
	Dimension (W x L x H)	271.8 x 197.2 x 19 mm (10.7 x 7.76 x 0.75 inches)
	Weight	1.2 kg (2.7 lbs) with standard battery, 1.4 kg (3.1 lbs) with optional high capacity battery
	Operating Temperature	-20°C to 60°C (AD mode), -10°C to 50°C (Bettery mode)
	Storage Temperature	-30°C to 70°C (-22°F to 158°F)
	Humidity	10 to 90% RH, non-condensing
	IP Proof	IP65
	Shock	MIL-STD-810G Method 516.6 Procedure I
Vibration	MIL-STD-810G Method 514.6 Procedure I	
Drop	MIL-STD-810G Method 516.6, 4 ft to concrete*	
Certifications	CE, FCC, IC, UL 60950, EN60601**	
Accessories	Power Input	12-19V DC
	Battery	7.4V, typ. 5140 mAh Li-Polymer Battery (2S1P) 7.4V, typ. 10280 mAh Li-Polymer Battery (2S2P, optional) Std. Battery: 8 hours*** High Capacity Battery: 16 hours***
	Battery Operating Time	
	Adapter	100-240V, 50-60Hz / 19V DC

Dimensions :



Accessories:	
1.	19V 65W Power Adapter x 1
2.	Power Cord x 1
3.	Standard Battery x 1
4.	M101 Quick Start Guide x 1
5.	Manual & Drive r CD x 1
6.	Capacitive Stylus x 1

Barcode Reader Symbolologies	
2D	Data Matrix, PDF417, Micro PDF 417, Codablock, Maxicode, QR, Aztec, GS1 composite codes
1D	EAN/UPC, GS1 Databar, RSS, Code 39, Code 128, UCC/EAN 128, ISBN, ISBT, Interleaved/Matrix/ Industrial and Standard 2 of 5, Codabar, Code 93/93i, Code 11, MSI, Plessey, Telepen, Postal codes

Order Information:	
M101B-BH	Barcode
M101B-3BH	Barcode + 3G
M101B-LBHE	Barcode + 4G/LTE for Europe
M101B-LBHA	Barcode + 4G/LTE for North America
M101B-BHAP	With Active Pen